

# Integrated Mag Switch (IMS) Replacement for Mitsubishi Starters

This instruction manual details the removal and replacement of the IMS for the following starters:  
PC1779, PC1879, VV0279, VV0776, VV2079, MK2078, FL1179, and FL0777



Be sure to follow proper safety techniques as outlined by your shop or employer. This includes wearing safety glasses and gloves at all times, and disconnecting the vehicle's batteries during any repair of the starting system.

The components listed below may continue to have power supplied to them even when the ignition switch is off. Use extreme caution at all times.

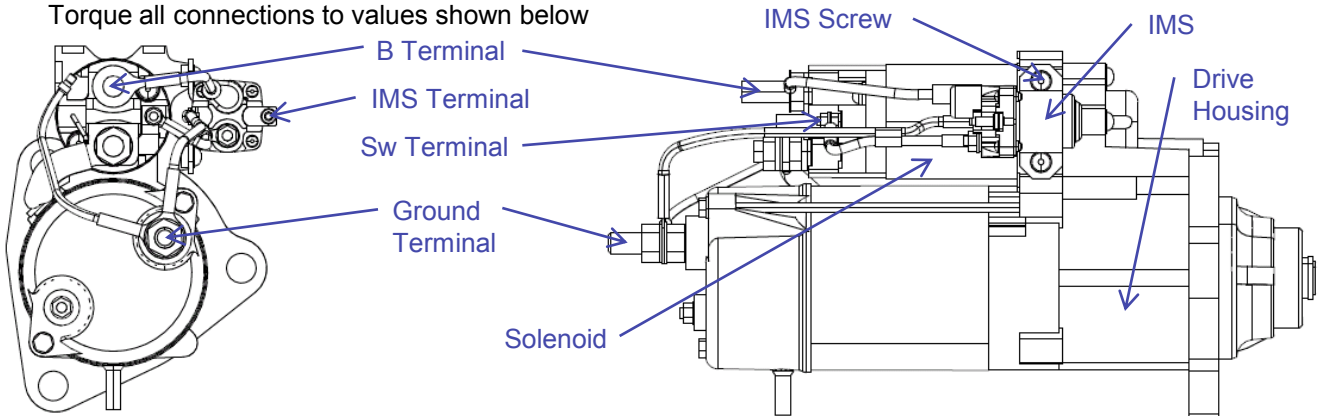
**Disconnect the vehicle's batteries before any service to the starting system.**

## IMS Removal Instructions

- 1) Remove starter from the vehicle: Remove the vehicle's battery, ground, and switch cables from the starter. Remove three starter mounting bolts. See starter installation guide at [Diamond-Gard.com](http://Diamond-Gard.com) for complete removal instructions.
- 2) Disconnect Integrated Mag Switch (IMS) cables from the B, Sw, and Ground terminals. These terminal locations are shown below
- 3) Remove screws connecting IMS to starter's drive housing

## IMS Replacement Instructions

- 1) Mount new IMS in old switch's location using two IMS Screws provided with the replacement kit
- 2) Re-connect leads from IMS to starter's terminals as shown below
  - Connect longest lead to ground terminal
  - Connect short lead with the small connector to solenoid's Sw terminal
  - Connect lead with the white stripe to solenoid's B terminal
- 3) Torque all connections to values shown below



	IMS Screw	B	Ground	IMS	SW	Mounting Bolts
lb.ft	3.6-6.5	15-22	15-22	1.5-1.8	1.5-1.8	74-147
lb.in	43-78	180-264	180-264	18-22	18-22	
N.m	4.9-8.8	20-30	20-30	2.0-2.5	2.0-2.5	100-200
Size		M12	M12	M5	M5	

# Integrated Mag Switch (IMS) Replacement for Mitsubishi Starters

This instruction manual details the removal and replacement of the IMS for the following starters: PC0979, PC1379, VV0977, VV0879, VV1979, MK1978, PV2479, MC2378, and FL0975



Be sure to follow proper safety techniques as outlined by your shop or employer. This includes wearing safety glasses and gloves at all times, and disconnecting the vehicle's batteries during any repair of the starting system.

The components listed below may continue to have power supplied to them even when the ignition switch is off. Use extreme caution at all times.

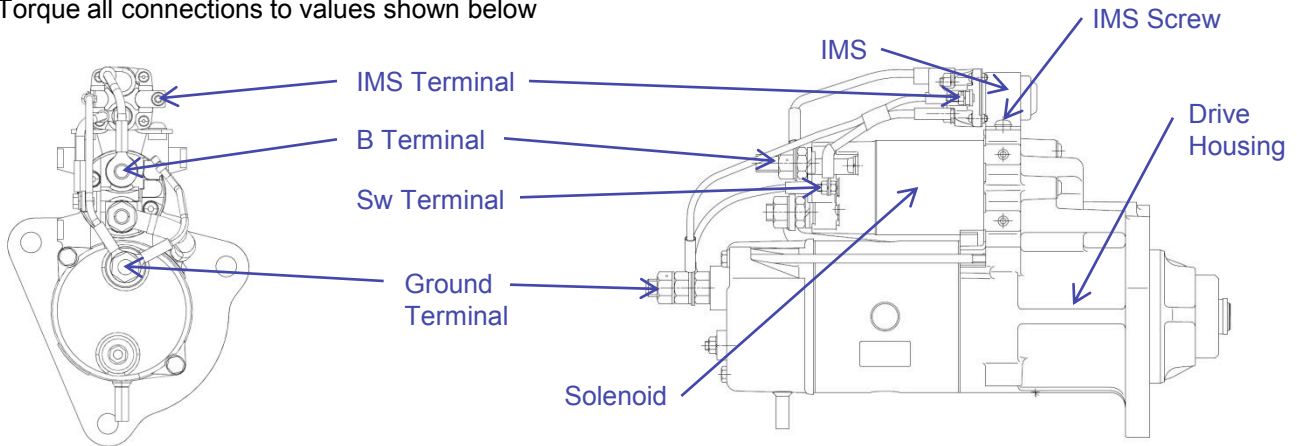
**Disconnect the vehicle's batteries before any service to the starting system.**

## IMS Removal Instructions

- 1) Remove starter from the vehicle: Remove the vehicle's battery, ground, and switch cables from the starter. Remove three starter mounting bolts. See starter installation guide at [Diamond-Gard.com](http://Diamond-Gard.com) for complete removal instructions.
- 2) Disconnect Integrated Mag Switch (IMS) cables from the B, Sw, and Ground terminals. These terminal locations are shown below
- 3) Remove screws connecting IMS to starter's drive housing

## IMS Replacement Instructions

- 1) Mount new IMS in old switch's location using two IMS Screws provided with the replacement kit
- 2) Re-connect leads from IMS to starter's terminals as shown below
  - Connect longest lead to ground terminal
  - Connect short lead with the small connector to solenoid's Sw terminal
  - Connect lead with the white stripe to solenoid's B terminal
- 3) Torque all connections to values shown below



	<u>IMS Screw</u>	<u>B</u>	<u>Ground</u>	<u>IMS</u>	<u>SW</u>	<u>Mounting Bolts</u>
lb.ft	3.6-6.5	15-22	15-22	1.5-1.8	1.5-1.8	74-147
lb.in	43-78	180-264	180-264	18-22	18-22	
N.m	4.9-8.8	20-30	20-30	2.0-2.5	2.0-2.5	100-200
Size		M12	M12	M5	M5	